



I N D U S T R I E S

Stainless Steel TRUCK BOX

Standard Features

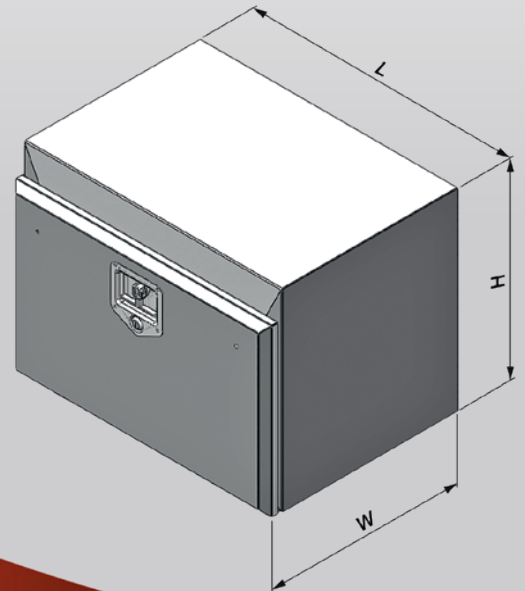
- 1.55mm stainless steel sheet grade 304 (Body - 2B finish)
- Polished stainless steel door
- Stainless steel door lanyard
- Double fluted pinch weld seal
- Fully TIG welded construction
- Welded stainless steel hinges with grease nipples
- Stainless steel key lockable drop "T" handles



Superior quality tool boxes
and accessories

Stainless Steel Truck Underbody Box Specifications

PART #	Length (mm)	Width (mm)	Height (mm)	Weight (Kg)
STB60SST	600	450	450	21.0
STB90SST	900	450	450	26.0
STB100SST	1000	450	450	31.0
STB120SST	1200	450	450	36.0



Built tough...
for tough jobs!

Phone: 07 4661 2730 • Email: sales@ldrindustries.com.au

ldrindustries.com.au