



I N D U S T R I E S

Powder Coated TRUCK BOX

Standard Features

- 1.6mm zinc anneal sheet
- Stainless steel door lanyard
- Double fluted pinch weld seal
- Fully MIG welded construction
- Powder coated black
- Welded hinges with grease nipples
- Stainless steel key lockable drop "T" handles



Superior quality tool boxes and accessories

Powder Coated Steel Truck Underbody Box Specifications

PART #	Length (mm)	Width (mm)	Height (mm)	Weight (Kg)
SP-ZPC50	500	400	350	16.0 *
SP-ZPC60	600	500	400	21.0 *
STB45ZPC	450	450	450	16.0
STB60ZPC	600	450	450	21.0
STB80ZPC	800	450	450	26.0
STB90ZPC	900	450	450	28.5
STB100ZPC	1000	450	450	31.0
STB120ZPC	1200	450	450	36.0
STB150ZPC	1500	450	450	42.0

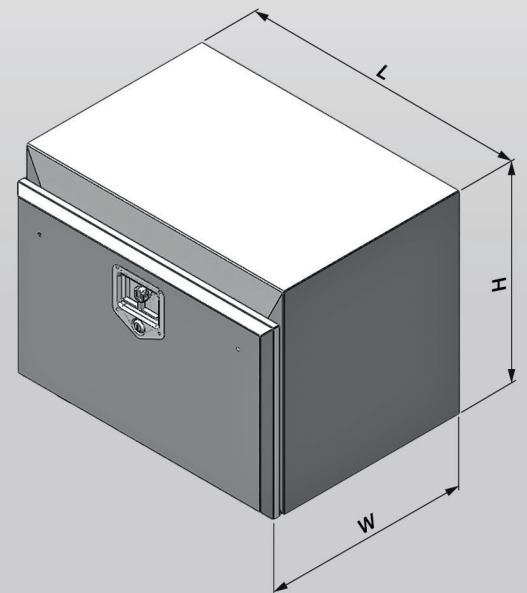
Low Profile and Jumbo Range Specifications

LTB90ZPC	900	450	380	25.0
LTB120ZPC	1200	450	380	32.0
JTB60ZPC	600	500	500	24.0
JTB80ZPC	800	500	500	29.0
JTB100ZPC	1000	500	500	35.0
JTB120ZPC	1200	500	500	41.0

*Full height door and no lanyards

Built tough... for tough jobs!

Phone: 07 4661 2730 • Email: sales@ldrindustries.com.au



ldrindustries.com.au