



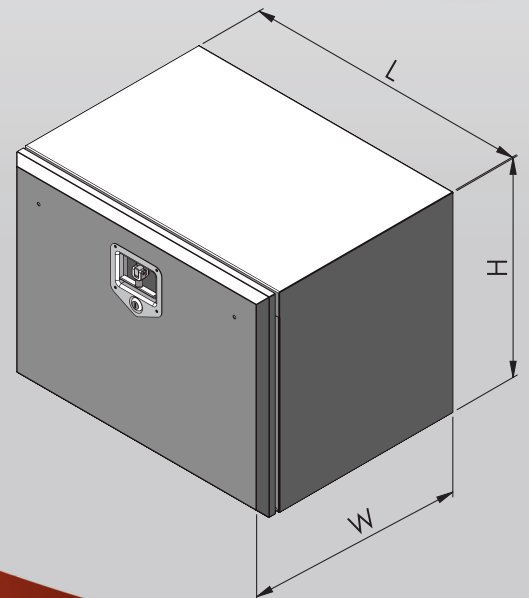
I N D U S T R I E S

Superior quality tool boxes
and accessories

Polished Stainless Steel TRUCK BOX

Standard Features

- 1.5mm polished mirror finish stainless steel
- Full height door
- Stainless steel door lanyard
- Double fluted pinchweld seal
- Fully welded construction
- Welded stainless steel hinges with grease nipples
- Stainless steel key lockable drop "T" handles
- Complete box in mirror finish stainless steel



Polished Stainless Steel Truck Underbody Box Specifications				
PART #	Length (mm)	Width (mm)	Height (mm)	Weight (Kg)
SP-MSS50	500	400	350	16.0 *
SP-MSS60	600	500	400	21.0 *
STB60MSS	600	450	450	21.0
STB80MSS	800	450	450	24.0
STB90MSS	900	450	450	26.0
STB100MSS	1000	450	450	31.0
STB120MSS	1200	450	450	36.0

*No lanyards

Built tough... for tough jobs!

Phone: 07 4661 2730 • Email: sales@ldrindustries.com.au

ldrindustries.com.au