



**I N D U S T R I E S**

Superior quality tool boxes  
and accessories

# Polished Stainless Steel Door TRUCK BOX

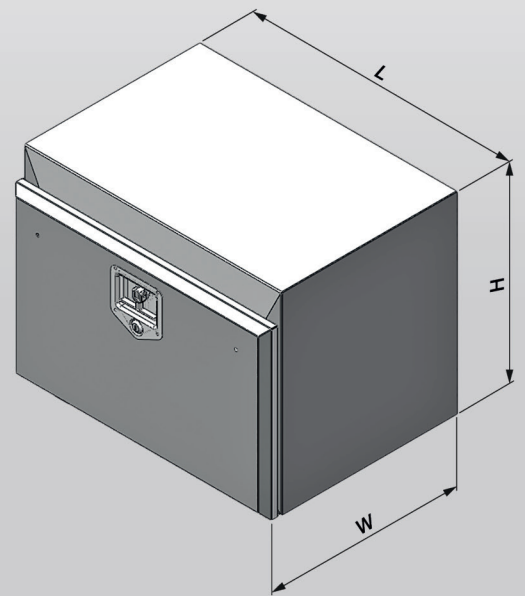
## Standard Features

- 1.6mm zincanneal material
- Body powder coated black
- 1.5mm polished stainless steel door
- Stainless steel door lanyard
- Double fluted pinchweld seal
- Fully welded construction
- Welded stainless steel hinges with grease nipples
- Stainless steel key lockable drop "T" handles



| Black Powder Coated with Polished S/S Door Specifications |             |            |             |             |
|---|-------------|------------|-------------|-------------|
| PART #  | Length (mm) | Width (mm) | Height (mm) | Weight (Kg) |
| SP-SSD50  | 500         | 400        | 350         | 16.0 *      |
| SP-SSD60  | 600         | 500        | 400         | 21.0 *      |
| STB45SSD  | 450         | 450        | 450         | 16.0        |
| STB60SSD  | 600         | 450        | 450         | 21.0        |
| STB90SSD  | 900         | 450        | 450         | 28.5        |
| STB100SSD   | 1000        | 450        | 450         | 31.0        |
| STB120SSD   | 1200        | 450        | 450         | 36.0        |
| STB150SSD   | 1500        | 450        | 450         | 42.0        |
| Low Profile and Jumbo Range Specifications                |             |            |             |             |
| LTB90SSD  | 900         | 450        | 380         | 30.0        |
| LTB120SSD   | 1200        | 450        | 380         | 34.0        |
| JTB60SSD  | 600         | 500        | 500         | 24.0        |
| JTB80SSD  | 800         | 500        | 500         | 29.0        |
| JTB100SSD   | 1000        | 500        | 500         | 35.0        |
| JTB120SSD   | 1200        | 500        | 500         | 41.0        |

\*Full height door and no lanyards



Built tough...  
for tough jobs!

Phone: 07 4661 2730 • Email: [sales@ldrindustries.com.au](mailto:sales@ldrindustries.com.au)

[ldrindustries.com.au](http://ldrindustries.com.au)